

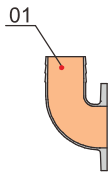
**3-7.5HP 2P**

60Hz : 3450rpm

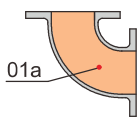
## Specification

- Insulation class : B
- Protection class : IP68
- Water temperature : up to 40°C
- PH : 6 to 10
- Density of liquid : 1.3g/cm<sup>3</sup>
- Power supply : three phase 230/460V±10%, 60Hz
- Motor protection : built in
- Capacity : up to 110m<sup>3</sup>/h
- Head : up to 42m
- Maximum immersion depth : 10m
- Cable length : 8m

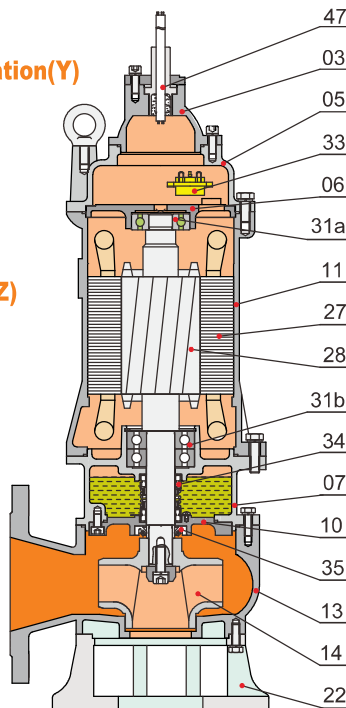
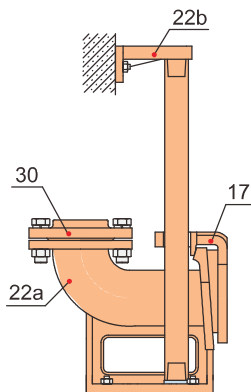
## Movable Soft Pipe Installation (R)



## Movable Hard Pipe Installation(Y)



## Auto-coupled Installation (Z)



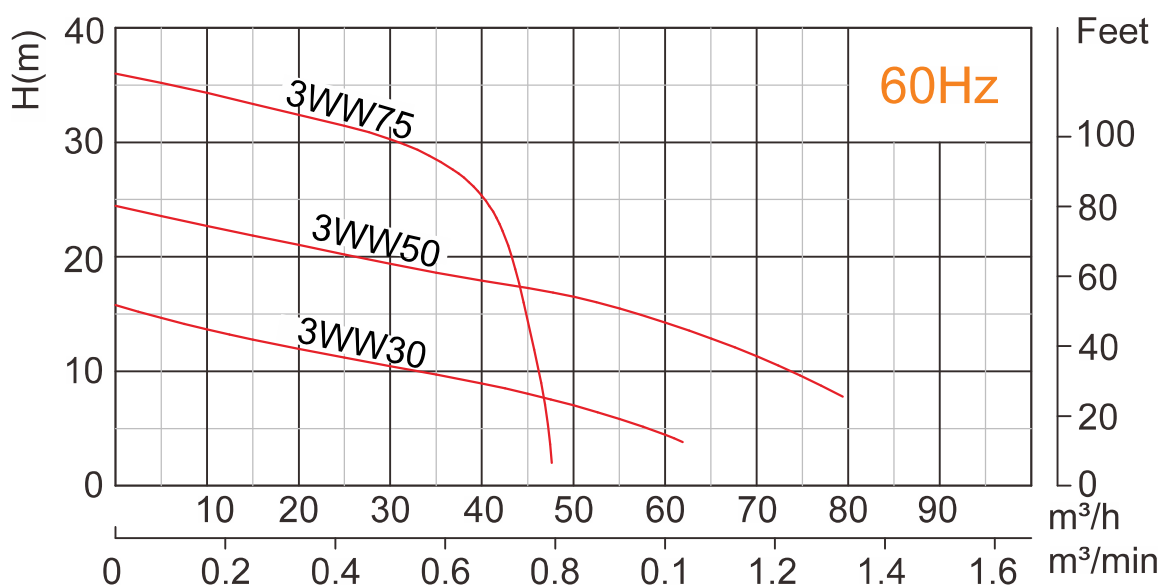
## Materials of construction

Item No.	Part name	Material
01	Hose coupling	Cast iron
01a	Hose coupling	Cast iron
03	Terminal box	Cast iron
05	Upper cover	Cast iron
06	Up-Bearing house	Cast iron
07	Bearing house	Cast iron
10	Seal bracket	Cast iron
11	Motor body	Cast iron
13	Pump body	Cast iron
14	Impeller	Cast iron
17	Coupling adapter	Cast iron
22	Seat assembly	Cast iron
22a	Coupling seat	Cast iron
22b	Upper guide support	Cast iron
27	Stator	Cast iron
28	Rotor	Shaft : AISI304SS
30	Flange	Cast iron
31a	Bearing	Ball bearing
31b	Bearing	Ball bearing
33	Motor protector	
34	Mechanical seal	Sic-Sic/Carbon-Ceramic
35	Oil seal	
47	Cable	



# WW SERIES SEWAGE PUMP

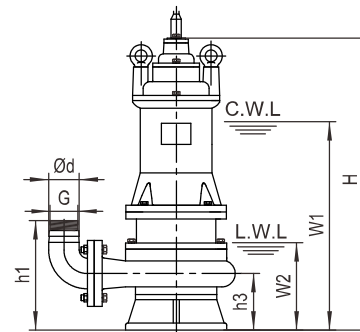
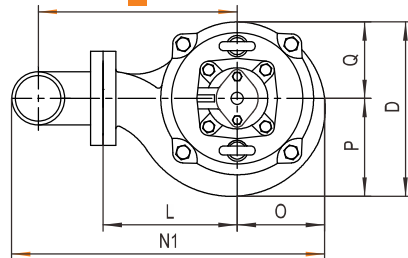
**3WW30**  
**3WW50**  
**3WW75**



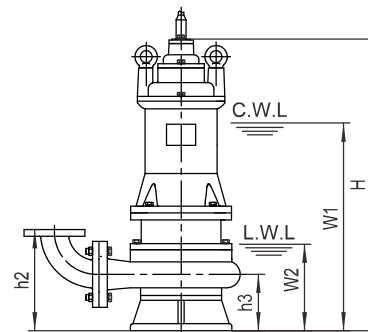
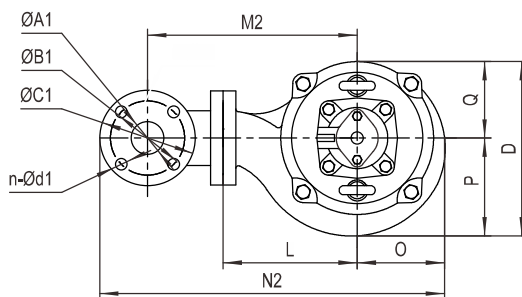
Model 60Hz	Voltage	Current	Motor power		Outlet		Rated capacity	Rated head	Max capacity	Max Head	Impeller Passage	Cable
	V	A	kW	HP	in	mm	m³/h	m	m³/h	m	mm	mm²
3WW30	230/460	8.5/4.2	2.2	3	3	80	40	9	64	16	30	4G1.0
3WW50	230/460	15.0/7.5	4	5.5	3	80	40	18	81	24	30	4G1.5
3WW75	230/460	19.5/9.8	5.5	7.5	3	80	30	30	47	36	25	4G2.5

**3WW30  
3WW50  
3WW75**

## Movable Soft Pipe Installation (R)



## Movable Hard Pipe Installation (Y)



C.W.L : Continuous running water level  
L.W.L : Lowest running water level

## Dimensions table

Model	Ød	G	ØA1	ØB1	ØC1	n-Ød1	h1	h2	h3	W1	W2	H	O	P	Q	L	D	M1	M2	N1	N2
3WW30	3"	G2½"	80	150	190	4-Ø18	255	250	110	415	150	580	105	111	100	160	211	252	302	395	502
3WW50	3"	G2½"	80	150	190	4-Ø18	280	275	135	480	185	675	115	115	115	165	230	257	307	410	517
3WW75	3"	G2½"	80	150	190	4-Ø18	275	270	130	495	175	690	125	125	125	175	250	267	317	430	537

## Weights & Packing dimensions

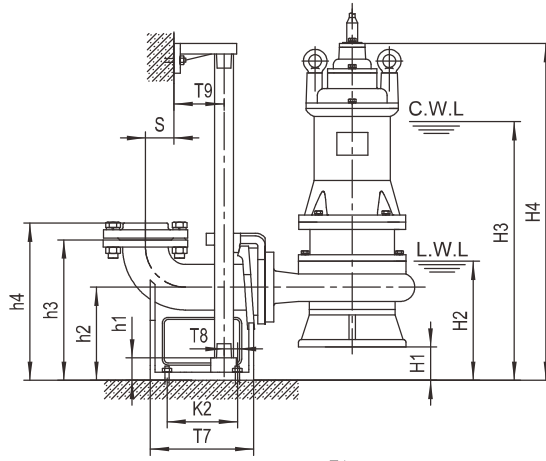
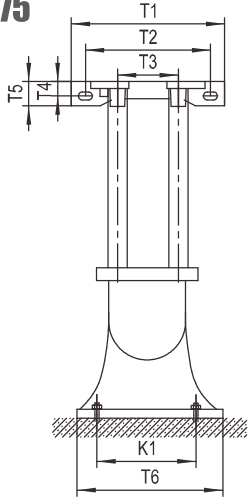
Model	R			Y		
	N.W	G.W	Packing dimension	N.W	G.W	Packing dimension
	kg	kg	mm	kg	kg	mm
3WW30	47	52	710×260×315	51	56	710×260×335
3WW50	65	71	800×260×325	69	75	800×260×345
3WW75	77	83	800×290×335	81	87	800×290×355



# WW SERIES SEWAGE PUMP

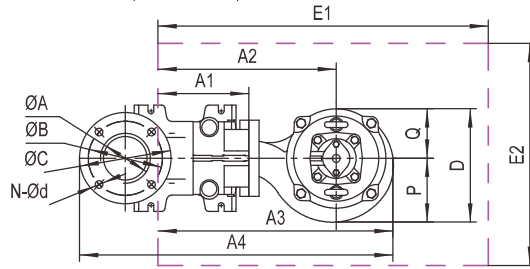
**3WW30**  
**3WW50**  
**3WW75**

## Auto-Coupled Installation (Z)



C.W.L : Continuous running water level  
 L.W.L : Lowest running water level

The coupling and pump will be packed individually, packing dimension and weight in table only refer to the pump, please refer to P48 to check coupling's packing dimension and weight.



### Dimensions table

Auto coupling	ØA	ØB	ØC	N-Ød	T1	T2	T3	T4	T5	T6	T7	T8	T9	K1	K2	S	h1	h2	h3	h4
3AC1	3"	150	190	4-Ø18	315	265	145	27	50	255	225	30	78	215	155	77	25	190	305	335

### Dimensions table

Model	Auto coupling	H1	H2	H3	H4	A1	A2	A3	A4	P	Q	D	E1×E2	Pump weight & packing dimension		
														N.W	G.W	Packing dimension
3WW30	3"	78	230	495	660	176	336	441	613	111	100	211	650×550	42	47	710×260×315
3WW50	3"	57	240	535	730	176	341	456	628	115	115	230	650×550	60	66	800×260×325
3WW75	3"	61	235	555	750	176	351	476	648	125	125	250	700×550	72	78	800×290×335