

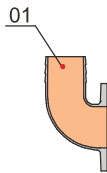
15-30HP 4P
60Hz:1750rpm

8WW150
8WW200
8WW250
8WW300

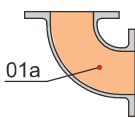
Specification

- Insulation class : F
- Protection class : IP68
- Starting method : reduced-voltage starting
- Water temperature : up to 40°C
- PH : 6 to 10
- Density of liquid : 1.3g/cm³
- Power supply : three phase 230/460V±10%, 60Hz
- Capacity : up to 860m³/h
- Head : up to 44m
- Maximum immersion depth : 20m
- Cable length : 8m

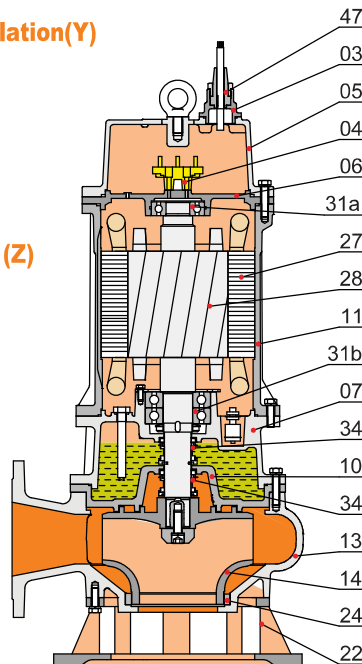
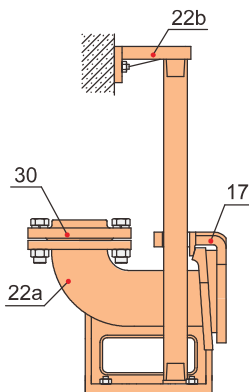
Movable Soft Pipe Installation (R)



Movable Hard Pipe Installation(Y)



Auto-coupled Installation (Z)



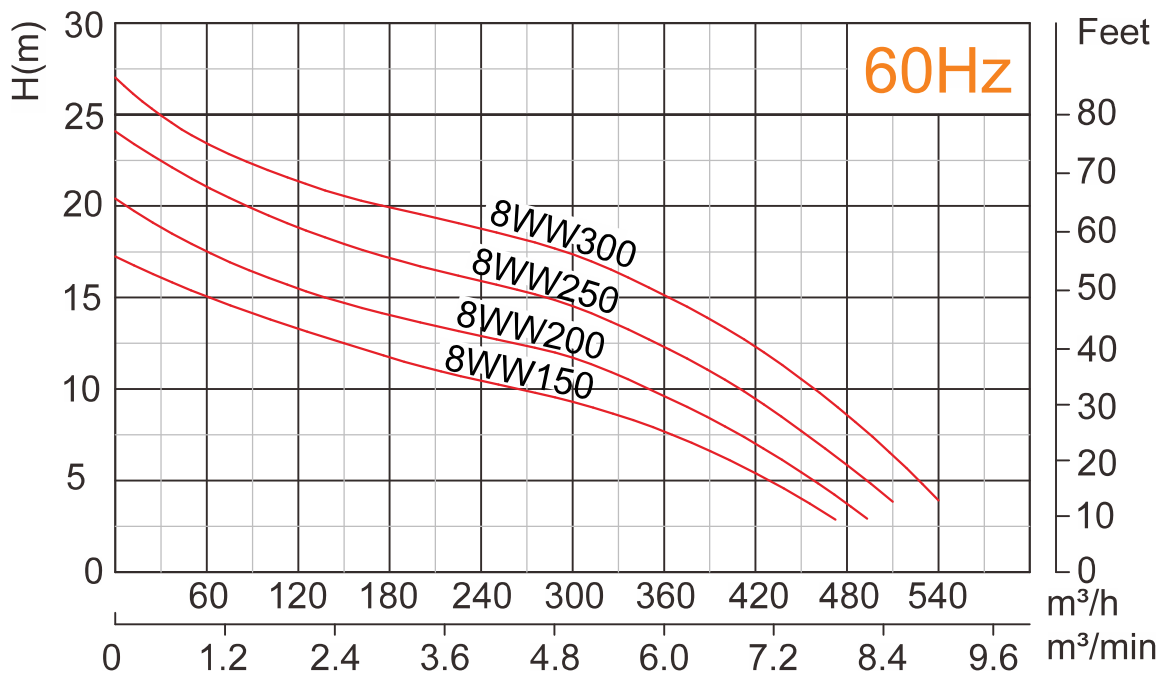
Materials of construction

Item No.	Part name	Material
01	Hose coupling	Cast iron
01a	Hose coupling	Cast iron
03	Terminal box	Cast iron
04	Wiring terminal	
05	Upper cover	Cast iron
06	Up-Bearing house	Cast iron
07	Bearing house	Cast iron
10	Seal bracket	Cast iron
11	Motor body	Cast iron
13	Pump body	Cast iron
14	Impeller	Ductile iron
17	Coupling adapter	Cast iron
22	Seat assembly	Cast iron
22a	Coupling seat	Cast iron
22b	Upper guide support	Cast iron
24	Neck ring	High chrome alloy
27	Stator	
28	Rotor	Shaft : AISI420SS
30	Flange	Cast iron
31a	Bearing	Ball bearing
31b	Bearing	Ball bearing
34	Mechanical seal	Sic-Sic
47	Cable	



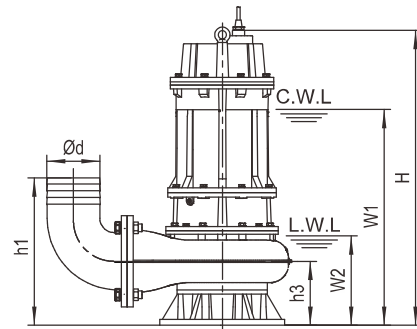
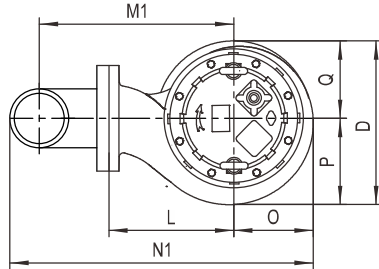
WW SERIES SEWAGE PUMP

8WW150
8WW200
8WW250
8WW300



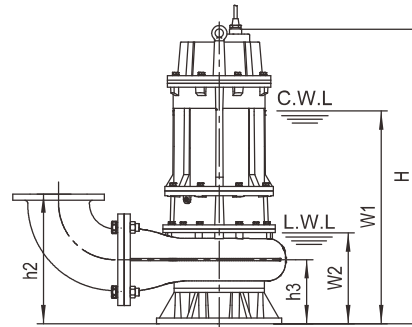
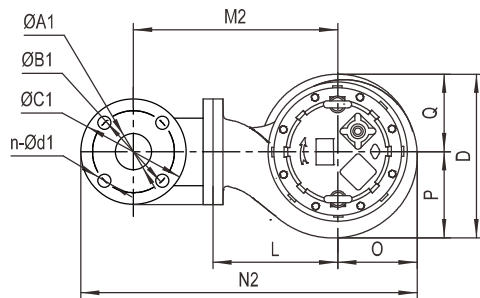
Model 60Hz	Voltage	Current	Motor power		Outlet		Rated capacity	Rated head	Max capacity	Max Head	Impeller Passage	Cable
	V	A	kW	HP	in	mm	m³/h	m	m³/h	m	mm	mm²
8WW150	230/460	38/19	11	15	8	200	300	9	450/475	17	70	4G4.0
8WW200	230/460	52/26	15	20	8	200	300	12	490	21	70	4G6.0
8WW250	230/460	63/31.5	19	25	8	200	300	15	530	25	70	4G10.0
8WW300	230/460	73/36.5	22	30	8	200	300	18	550	27	70	4G10.0

Movable Soft Pipe Installation (R)



8WW150
8WW200
8WW250
8WW300

Movable Hard Pipe Installation(Y)



C.W.L : Continuous running water level
 L.W.L : Lowest running water level

Dimensions table

Model	Ød	ØA1	ØB1	ØC1	n-Ød1	h1	h2	h3	W1	W2	H	O	P	Q	L	D	M1	M2	N1	N2
8WW150	8"	200	295	340	8-Ø22	545	465	235	720	325	980	225	253	210	340	463	542	572	868	968
8WW200	8"	200	295	340	8-Ø22	545	465	235	765	325	1025	225	253	210	340	463	542	572	868	968
8WW250	8"	200	295	340	8-Ø22	545	465	235	785	325	1080	233	260	210	350	470	552	582	885	985
8WW300	8"	200	295	340	8-Ø22	545	465	235	805	325	1100	233	260	210	350	470	552	582	885	985

※Standard equipment of 250 mm outlet dimension does not include the bend hose coupling.

Weights & Packing dimensions

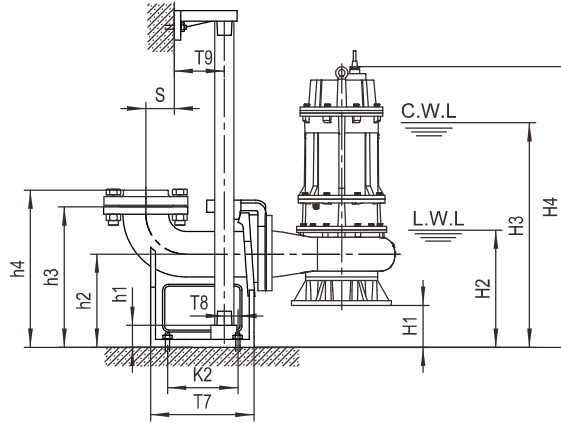
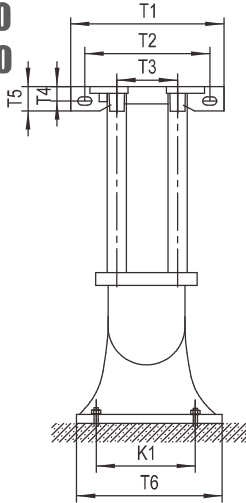
Model	R			Y		
	N.W	G.W	Packing dimension	N.W	G.W	Packing dimension
	kg	kg	mm	kg	kg	mm
8WW150	280	299	700×500×1170	288	307	700×500×1170
8WW200	302	321	700×500×1220	310	329	700×500×1220
8WW250	354	373	720×510×1280	362	381	720×510×1280
8WW300	374	394	720×510×1280	382	402	720×510×1280



WW SERIES SEWAGE PUMP

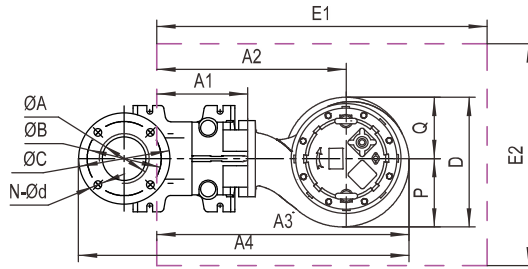
8WW150
8WW200
8WW250
8WW300

Auto-Coupled Installation (Z)



C.W.L : Continuous running water level
L.W.L : Lowest running water level

The coupling and pump will be packed individually, packing dimension and weight in table only refer to the pump, please refer to P48 to check coupling's packing dimension and weight.



Dimensions table

Auto coupling	ØA	ØB	ØC	N-Ød	T1	T2	T3	T4	T5	T6	T7	T8	T9	K1	K2	S	h1	h2	h3	h4
8AC1	8"	295	340	8-Ø22	400	260	280	24	48	400	445	100	95	300	355	230	440	325	555	—

※Standard equipment of 150 mm outlet dimension does not include flange.

Dimensions table

Model	Auto coupling	H1	H2	H3	H4	A1	A2	A3	A4	P	Q	D	E1×E2	Pump weight & packing dimension		
														N.W	G.W	Packing dimension
8WW150	8"	90	415	810	1070	285	625	850	1250	253	210	463	1050×650	255	284	700×500×1170
8WW200	8"	90	415	855	1115	285	625	850	1250	253	210	463	1050×650	277	296	700×500×1220
8WW250	8"	90	420	875	1170	285	635	868	1265	260	210	470	1050×650	329	348	720×510×1280
8WW300	8"	90	420	895	1190	285	635	868	1265	260	210	470	1050×650	349	369	720×510×1280