

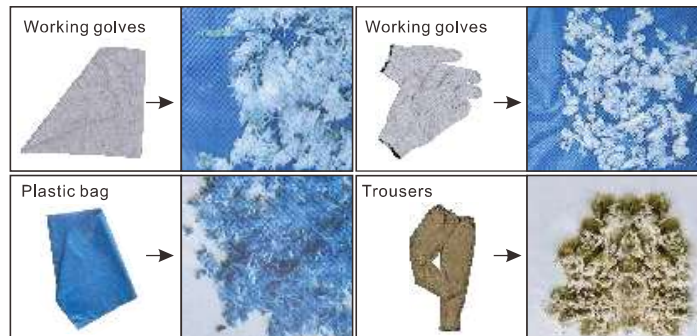
**1-7.5HP 2P**  
60Hz:3450rpm

**Specification**

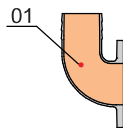
- Insulation class : F
- Protection class : IP68
- Water temperature : up to 40°C
- PH : 6 to 10
- Density of liquid : 1.3g/cm<sup>3</sup>
- Power supply :  
single phase 230V ±10%, 60Hz  
three phase 230/460V±10%, 60Hz
- Motor protection : built in
- Capacity : up to 25m<sup>3</sup>/h
- Head : up to 42m
- Maximum immersion depth : 10m
- Cable length : 8m



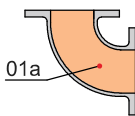
**GRINDING CAPACITY OF G PUMPS**



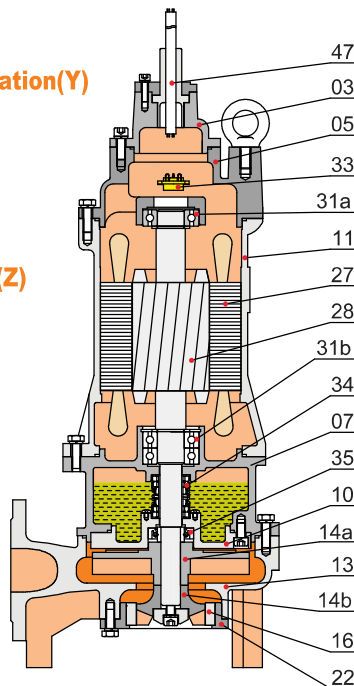
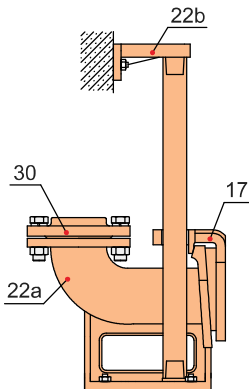
**Movable Soft Pipe Installation (R)**



**Movable Hard Pipe Installation(Y)**



**Auto-coupled Installation (Z)**

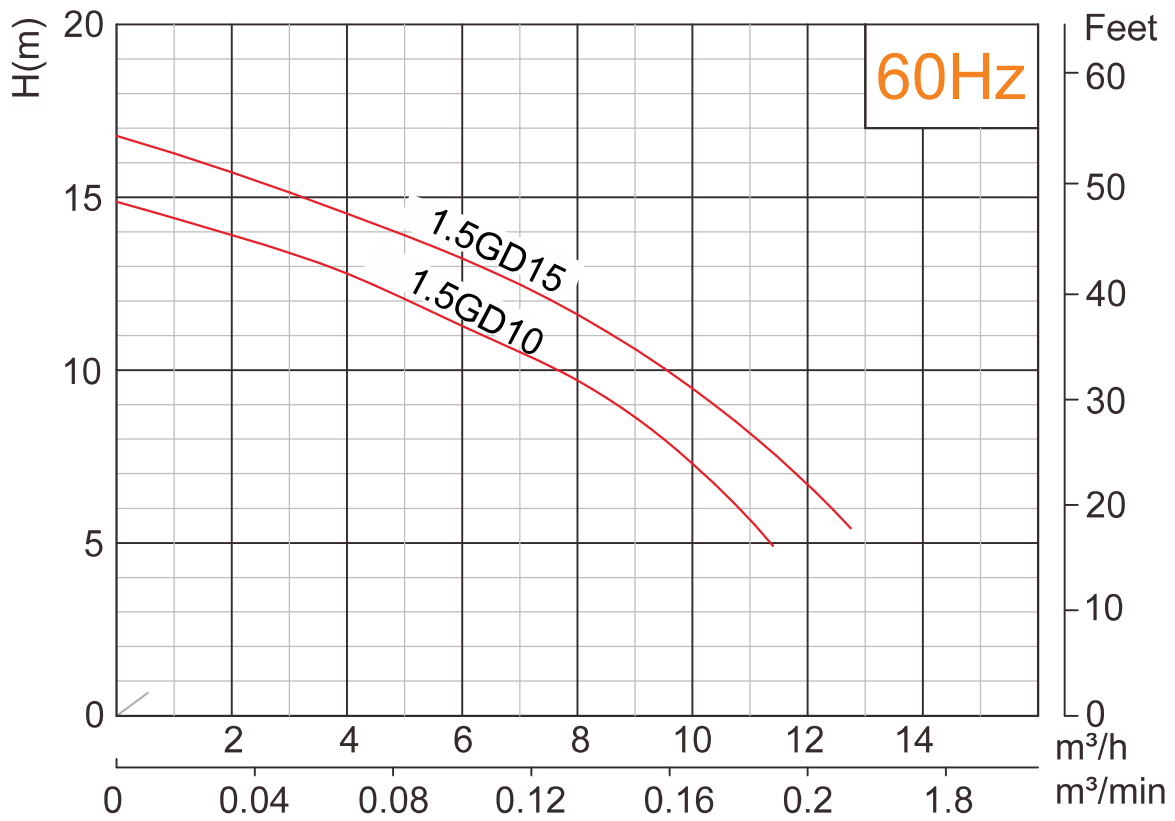


**Materials of construction**

Item No.	Part name	Material
01	Hose coupling	Cast iron
01a	Hose coupling	Cast iron
03	Terminal box	Cast iron
05	Upper cover	Cast iron
07	Bearing house	Cast iron
10	Seal bracket	Cast iron
11	Motor body	Cast iron
13	Pump body	Cast iron
14a	Impeller	Ductile iron
14b	Rotaionary blade	High chrome alloy
16	Stationary Blade	High chrome alloy
17	Coupling adapter	Cast iron
22	Seat assembly	Cast iron
22a	Coupling seat	Cast iron
22b	Upper guide support	Cast iron
27	Stator	
28	Rotor	Shaft : AISI304SS
30	Flange	Cast iron
31a	Bearing	Ball bearing
31b	Bearing	Ball bearing
33	Motor protector	
34	Mechanical seal	Sic-Sic/Carbon-Ceramic
35	Oil seal	
47	Cable	



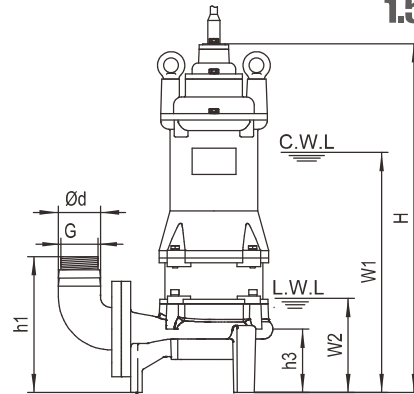
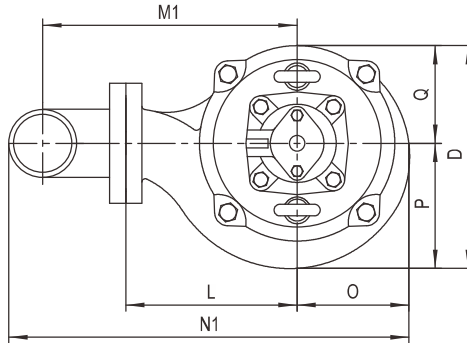
**1.5GD10**  
**1.5GD15**



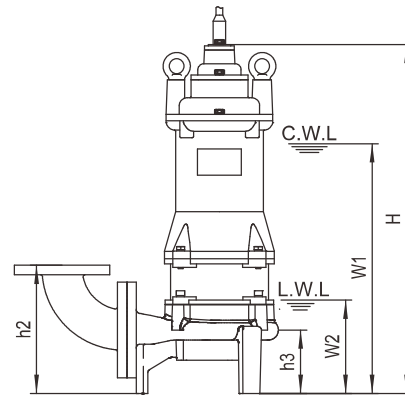
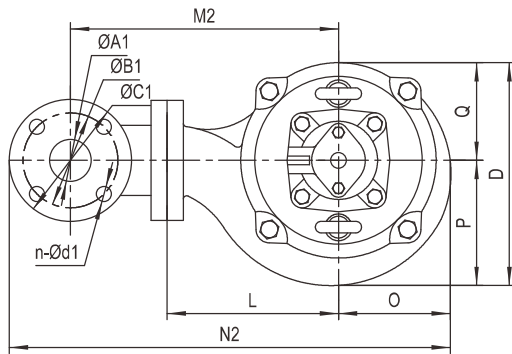
Model 60Hz	Voltage	Current	Motor power		Outlet		Rated capacity	Rated head	Max capacity	Max Head	Cable
	V	A	kW	HP	in	mm	m³/h	m	m³/h	m	mm²
1.5GD10	230,1PH	5.8	0.75	1	1.5	40	8	10	12	15	4G1.0
1.5GD10	230/460	3.4/1.7	0.75	1	1.5	40	8	10	12	15	3G1.0
1.5GD15	230,1PH	6.8	1.1	1.5	1.5	40	8	12	13	17	4G1.0
1.5GD15	230/460	4.8/2.4	1.1	1.5	1.5	40	8	12	13	17	3G1.0

**1.5GD10**  
**1.5GD15**

**Movable Soft Pipe Installation (R)**



**Movable Hard Pipe Installation (Y)**



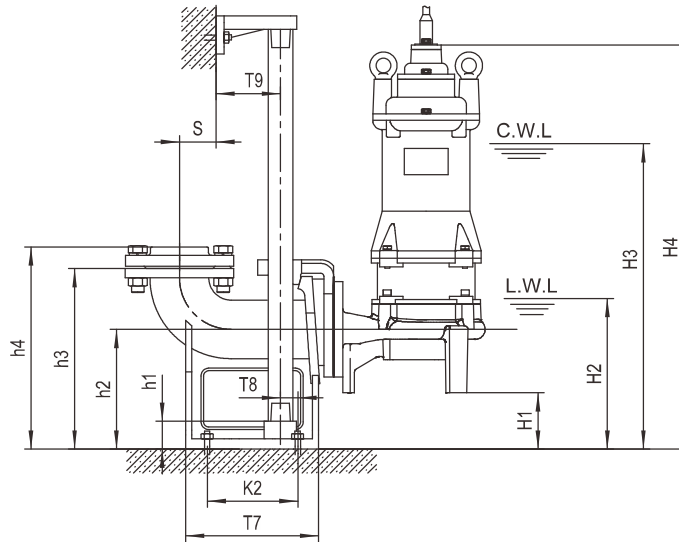
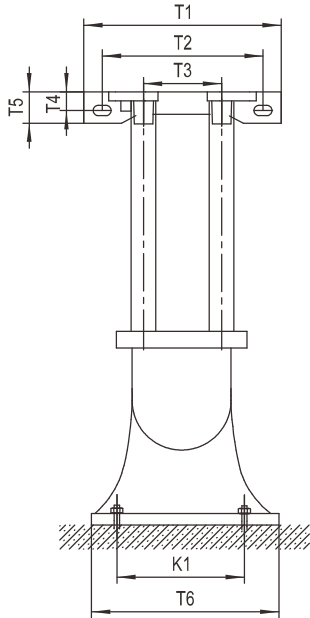
C.W.L : Continuous running water level  
L.W.L : Lowest running water level

**Dimensions table**

Model	Ød	G	ØA1	ØB1	ØC1	n-Ød1	h1	h2	h3	W1	W2	H	O	P	Q	L	D	M1	M2	N1	N2
1.5GD10	1.5"	—	40	100	130	4-Ø14	165	185	85	320	125	475	82	85	80	130	165	193	232	295	380
1.5GD10	1.5"	—	40	100	130	4-Ø14	165	185	85	335	125	475	82	85	80	130	165	193	232	295	380
1.5GD15	1.5"	—	40	100	130	4-Ø14	165	185	85	335	125	475	82	85	80	130	165	193	232	295	380
1.5GD15	1.5"	—	40	100	130	4-Ø14	165	185	85	355	125	495	82	85	80	130	165	193	232	295	380

**Weights & Packing dimensions**

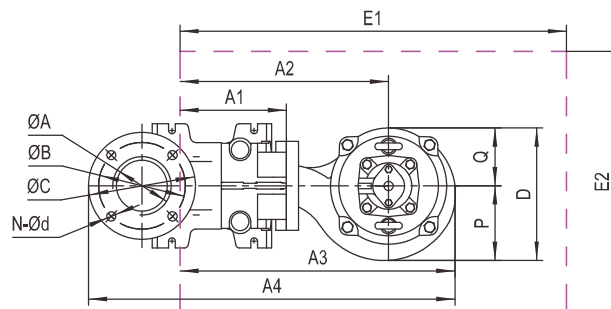
Model	R			Y		
	N.W	G.W	Packing dimension	N.W	G.W	Packing dimension
	kg	kg	mm	kg	kg	mm
1.5GD10	25	26.5	515×235×220	27	28.5	515×235×230
1.5GD10	26	27.5	515×235×220	28	29.5	515×235×230
1.5GD15	26.5	28	535×235×220	28.5	30	535×235×230
1.5GD15	27.5	29	535×235×220	29.5	31	535×235×230

**1.5GD10  
1.5GD15**
**Auto-Coupled Installation (Z)**


C.W.L : Continuous running water level

L.W.L : Lowest running water level

The coupling and pump will be packed individually, packing dimension and weight in table only refer to the pump, please refer to P48 to check coupling's packing dimension and weight.


**Dimensions table**

Auto coupling	ØA	ØB	ØC	N-Ød	T1	T2	T3	T4	T5	T6	T7	T8	T9	K1	K2	S	h1	h2	h3	h4
1.5AC1	1.5"	100	130	4-Ø14	225	185	70	18	35	110	140	5	65	65	70	60	150	115	195	215

**Dimensions table**

Model	Auto coupling	H1	H2	H3	H4	A1	A2	A3	A4	P	Q	D	E1×E2	Pump weight & packing dimension		
														N.W	G.W	Packing dimension
1.5GD10	1.5"	32	160	355	510	145	275	360	485	85	80	165	650×550	23	24.5	515×235×220
1.5GD10	1.5"	32	160	370	510	145	275	360	485	85	80	165	650×550	24	25.5	515×235×220
1.5GD15	1.5"	32	160	370	510	145	275	360	485	85	80	165	650×550	24.5	26	535×235×220
1.5GD15	1.5"	32	160	390	530	145	275	360	485	85	80	165	650×550	25.5	27	535×235×220